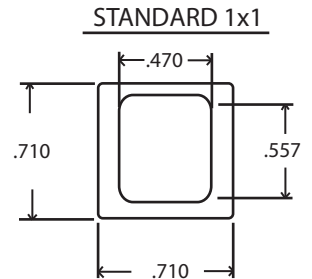
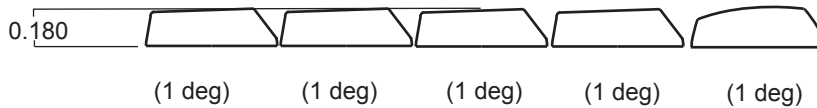


# LP FAMILY 11

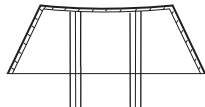
## LOW PROFILE, CYLINDRICAL TOP, NON-SCULPTURED

- STANDARD MATERIAL: ABS, PBT  
 GRAPHIC OPTIONS: PAD PRINTING, LASER MARKING, SUBLIMATION PRINTING  
 MOUNTING OPTIONS: 3 MOUNT STYLES AVAILABLE FOR CHERRY ML SWITCH  
 SURFACE OPTIONS: S - SEMI-MATTE TOP AND SIDES  
 G - GLOSS TOP AND SIDES  
 M - MATTE TOP, SEMI-MATTE SIDES



FULL TOUCH KEYS	ROW 3	ROW 3	ROW 3	ROW 3	SPACE BAR
1 x .8			M		
1 x 1			M		
1 x 1 homing bar			M		
1 x 1 homing bump			M		
1 x 1.5			M		
1 x 1.75			M		
1 x 2			M		
1 x 4.75					M
1 x 5					M
VERTICAL KEYS					SPACE BAR
	3	3	3	3	
1 x 2, vertical			M		
STEPPED KEYS					SPACE BAR
	3	3	3	3	
1 x 1.25, .125 step L & R			M		
1 x 1.5, .25 step L & R			M		
1 x 1.5, .5 step L			M		

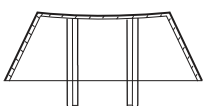
Cross-Section of Mount



Protruding 0.165"  
Scale: 1.75:1

---

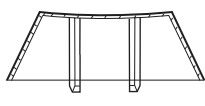
Cross-Section of Mount



Protruding 0.112"  
Scale: 1.75:1

---

Cross-Section of Mount



Protruding 0.040"  
Scale: 1.75:1